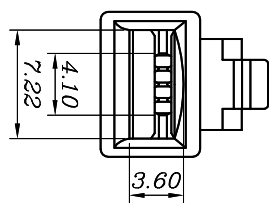
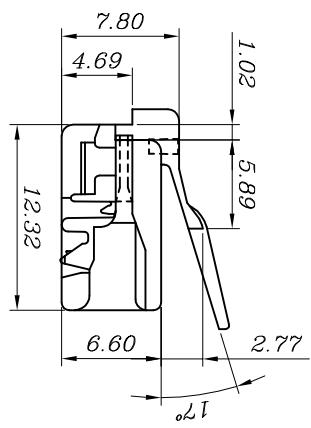
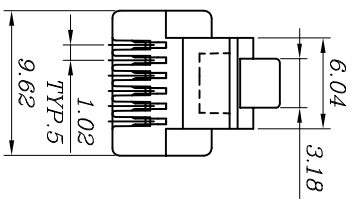
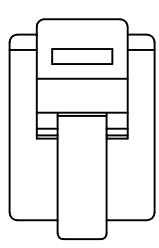
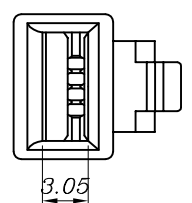


更改	日期	设计内容	修改
REV	DATE	MODIFICATION	DRAWN
	2011/10/18		



Round



Flat

SPECIFICATIONS
1. ELECTRICAL:
 UL APPLICATIONS: 250 VOLTS AC MAX., AT 2 AMPS.
 DIELECTRIC WITHSTANDING VOLTAGE: 1000 VOLTS AC.
 WITHSTAND VOLTAGE TIME: 60S.
 INSULATION RESISTANCE: 100 M Ω .
 TERMINATION: RESISTANCE 20m Ω MAX AFTER ENVIRONMENTAL TESTING.
2. MECHANICAL:
 CABLE-TO-PLUG TENSILE STRENGTH: 20ROUND MIN.
 DURABILITY: 200 MATING CYCLES.
3. MATERIAL & FINISH:
 HOUSING: POLYCARBONATE: UL94V-0 OR UL94V-2.
 COLOR: TRANSPARENT OR OTHER COLOR ARE AVAILABLE.
 CONTACT BLADE: COPPER ALLOY.
 CONDUCTOR: STRANDED & SOLID WIRE: 24AWG, 26 AWG.
 (It can be used for the wire OD from 0.96-01.02)
 GOLD PLATING: 3u"~50u" ARE AVAILABLE.

规范

1. 电器:

UL应用最大250VOLTS AC.

介质耐电压伏特数:1000VOLTS AC.

耐压时间:60S.

绝缘电阻:100百万欧姆.

终端阻抗:在环境测试后最大可承受20微欧姆终端阻抗.

2. 机构

拉力测试:至少20磅.

耐力测试:至少200次之插拔测试.

3. 材质表面处理

塑胶壳:聚碳酸酯,UL-94V-0 or UL94V-2.

颜色:透明 或者其他颜色亦可.

金片:铜合金.

导体:多股线&单股线,24AWG,26AWG.

(芯线直径: ϕ 0.96- ϕ 1.02均可适用)

镀金厚度:3u"~50u",皆可提供.



客户用产品图

BLADE:	E	EB	Y	YB	Z	A	AE	AB	EC	AL	ZL	YBL
Drawing												
Mark	✓											

GOLD PLATING	3Mu"	3u"	6u"	15u"	30u"	50u"	CABLE TYPE	ROUND	FLAT
Mark						✓	Mark		✓



宁波卓新通讯连接器有限公司
 NINGBO EXCELLENCE COMMUNICATED CONNECTOR CO.,LTD

DIMENSION IN mm (Inch)	材 质	图 号
TOLERANCE UNLESS OTHERWISE SPECIFIED	MATERIAL	DWG NO.
.X \pm 0.20	PC	PLUG-005-0001
.XX \pm 0.10		
.X \pm 5 $^{\circ}$	名称	比例
.XX \pm 2 $^{\circ}$	TITLE	SCALE
		2/1
	制图	张数
	Cathyli	1/1
	审核	更改
	沈红波	REV
		A